



KD MEDICAL GMBH HOSPITAL PRODUCTS®

KD Medical GmbH Hospital Products · Charlottenstrasse 65 · 10117 Berlin · Germany

Postal Address	Office
PF 060107 10051 Berlin Germany	Charlottenstrasse 65 10117 Berlin Germany
Phone	+49-30-20 39 95 91/92
Fax	+49-30-20 39 95 99
E-Mail	info@kdm-berlin.de
http	www.kdm-berlin.de

## Summary Essential Technical Data - Sterile paediatric urine bags for single use

**Manufacturer:** KD Medical GmbH Hospital Products  
Charlottenstraße 65  
10117 Berlin  
GERMANY

**Product:** Urine bags paediatric  
(Sterile disposable urine bags for paediatric use)

**UMDNS code:** 16-782

**Risk Class:** Is according to rule 1 of Annex IX of Council Directive 93/42/EEC,  
amended by Council Directive 2007/47/EC

**Conformity assessment procedure:** according to Annex V of Council Directive 93/42/EEC,  
amended by Council Directive 2007/47/EC

**Notified Body:** TUEV Süd Product Service GmbH  
Ridlerstraße 65  
80339 Munich, Germany  
Identification no 0123

### **Brief description of the product**

Paediatric urine bags for single use are intended for the collection of urine in babies.

They are sterile, non-toxic and pyrogen-free.

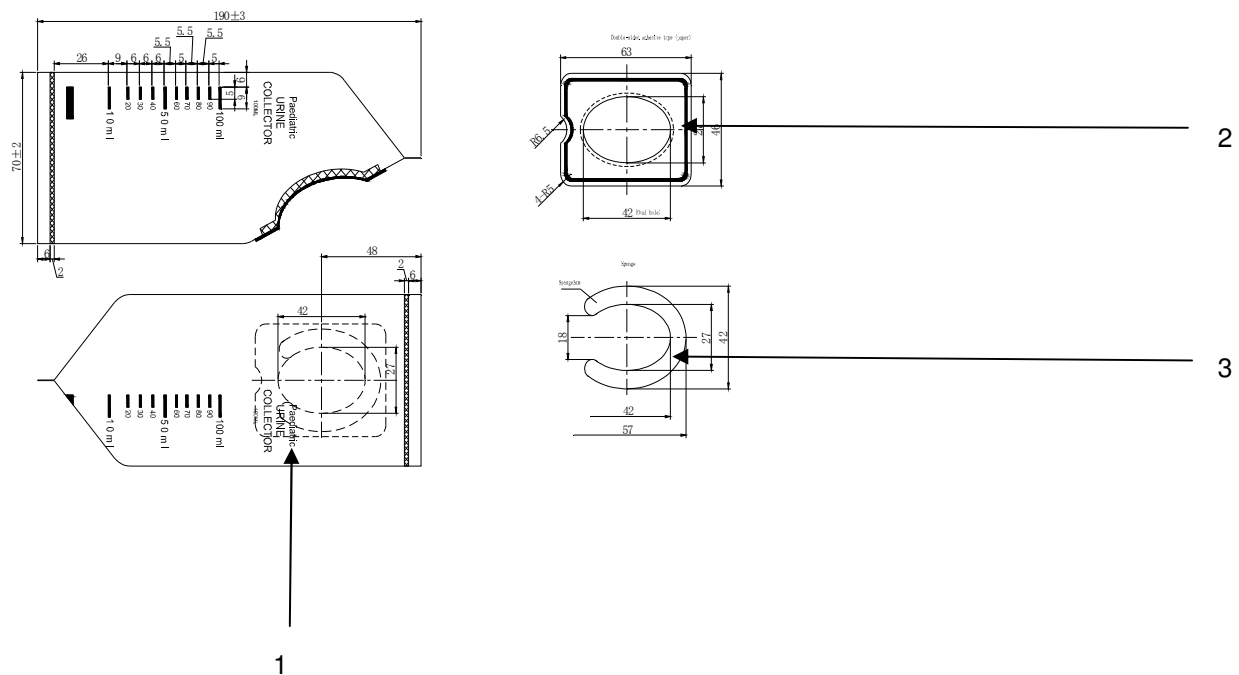
Bank	Deutsche Bank AG, Berlin	Commerzbank AG, Berlin	Registered Office: Berlin
Bank Code	100 700 00	100 800 00	Managing Director: Jörg Bartz
Account No.	605 24 50 00	905 94 65 00	Commercial Registry: Berlin-
IBAN	DE77 1007 0000 0605 2450 00	DE50 1008 0000 0905 9465 00	Charlottenburg HRB 64320
SWIFT	DEUT DE 33	DRES DE 33 100	VAT-No. DE 812 328 107

<b>Postal Address</b>	<b>Office</b>
PF 060107	Charlottenstrasse 65
10051 Berlin	10117 Berlin
Germany	Germany

Phone	+49-30-20 39 95 91/92
Fax	+49-30-20 39 95 99
E-Mail	info@kdm-berlin.de
http	www.kdm-berlin.de

KD Medical GmbH Hospital Products · Charlottenstrasse 65 · 10117 Berlin · Germany

## Drawings and material specification



1 bag	polyethylene (PE)
2 self-adhesive stickers	medical pressure-sensitive adhesive (acrylate)
3 cushion	polyurethane (PU)

- Sterilization:** by ethylene oxide
- Shelf life:** 5 years from the date of manufacture
- Latex:** KDM Urine bags for paediatric use are latex-free
- Storage:** Do not store at extreme temperature and humidity.

Bank	Deutsche Bank AG, Berlin	Commerzbank AG, Berlin	Registered Office: Berlin
Bank Code	100 700 00	100 800 00	Managing Director: Jörg Bartz
Account No.	605 24 50 00	905 94 65 00	Commercial Registry: Berlin-
IBAN	DE77 1007 0000 0605 2450 00	DE50 1008 0000 0905 9465 00	Charlottenburg HRB 64320
SWIFT	DEUT DE 33	DRES DE 33 100	VAT-No. DE 812 328 107



Postal Address	Office
PF 060107	Charlottenstrasse 65
10051 Berlin	10117 Berlin
Germany	Germany

Phone	+49-30-20 39 95 91/92
Fax	+49-30-20 39 95 99
E-Mail	info@kdm-berlin.de
http	www.kdm-berlin.de

KD Medical GmbH Hospital Products · Charlottenstrasse 65 · 10117 Berlin · Germany

**Precautions for use:**

The operators should be professionally trained medical staff.  
Check the integrity of the individual package before use. Do not use if the package is damaged.  
For single use only.  
Discard after single use to avoid risk of infection.  
Use within the validity period

**Variants:**

Article no	Bag size in ml
970218	100

**Packing data:**

	pieces per	dimensions	weight (gross / net)
<b>individual package (pouch)</b>	1	0,13m x 0,08 m	
<b>inner box</b>	100	0,27 x 0,1 x 0,08 m	
<b>export carton</b>	2500	0,53 x 0,29 x 0,43 m	6,0 / 5,0 kg

Issue: 12.06.2010  
Revision: 0

Bank	Deutsche Bank AG, Berlin
Bank Code	100 700 00
Account No.	605 24 50 00
IBAN	DE77 1007 0000 0605 2450 00
SWIFT	DEUT DE 33

Commerzbank AG, Berlin
100 800 00
905 94 65 00
DE50 1008 0000 0905 9465 00
DRES DE 33 100

Registered Office: Berlin
Managing Director: Jörg Bartz
Commercial Registry: Berlin-Charlottenburg HRB 64320
VAT-No. DE 812 328 107