



<b>Postal Address</b>	<b>Office</b>
PF 060107	Charlottenstrasse 65
10051 Berlin	10117 Berlin
Germany	Germany
Phone	+49-30-20 39 95 91/92
Fax	+49-30-20 39 95 99
E-Mail	info@kdm-berlin.de
http	www.kdm-berlin.de

KD Medical GmbH Hospital Products · Charlottenstrasse 65 · 10117 Berlin · Germany

**Summary Essential Technical Data - KD-JECT III - Sterile syringes for single use**

**Manufacturer:** KD Medical GmbH Hospital Products  
Charlottenstraße 65  
10117 Berlin  
GERMANY

**Product:** Syringes  
(Sterile syringes for single use (three parts))

**Brand:** KD-JECT III

**UMDNS code:** normal syringes: 13-929  
Tuberculin syringes: 13-945

**Risk Class:** IIa according to rule 6 of Annex IX of Council Directive 93/42/EEC,  
amended by Council Directive 2007/47/EC

**Conformity assessment procedure:** according to Annex II, section 3 of Council Directive 93/42/EEC,  
amended by Council Directive 2007/47/EC

**Notified Body:** TUEV Süd Product Service GmbH  
Ridlerstraße 65  
80339 Munich, Germany  
Identification no 0123

**Brief description of the product**

KD-JECT III sterile syringes for single use consist of three parts - barrel, plunger and gasket (rubber seal). They are intended for either injection of drugs in combination with other medical devices such as hypodermic needles or for withdrawal of body liquids. They are non-toxic, pyrogen-free and have been sterilized by ethylene oxide.

The following variants are available:

latex or latex-free  
luer slip or luer lock connector  
with or without bypacked needle  
(specifications see below)

**Variants: drawings and material specification:**

Material valid for all variants:

<b>Syringes</b>	
Barrel:	Ethylene Polypropylene Copolymer (PP)
Plunger:	Ethylene Polypropylene Copolymer (PP)
Rubber seal (gasket)	<b>latex variants:</b> natural rubber (polyisoprene) <b>latex-free variants:</b> synthetic rubber (polyisoprene)
Lubricant	Silicone oil
<b>Hypodermic needle (if applicable):</b>	
needle hub:	Ethylene Polypropylene Copolymer (PP)
needle tube:	Stainless steel
Protective cap:	Ethylene Polypropylene Copolymer (PP)

The light-protective syringe (article no 870945) contains 0.2 % black ferric oxide and nanometer red colour.

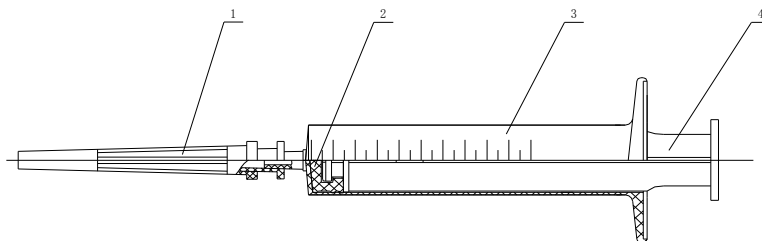
Bank	Deutsche Bank AG, Berlin	Commerzbank AG, Berlin	Registered Office: Berlin
Bank Code	100 700 00	100 800 00	Managing Director: Jörg Bartz
Account No.	605 24 50 00	905 94 65 00	Commercial Registry: Berlin-
IBAN	DE77 1007 0000 0605 2450 00	DE50 1008 0000 0905 9465 00	Charlottenburg HRB 64320
SWIFT	DEUT DE 33	DRES DE 33 00	VAT-No. DE 812 328 107

<b>Postal Address</b>	<b>Office</b>
PF 060107	Charlottenstrasse 65
10051 Berlin	10117 Berlin
Germany	Germany

Phone	+49-30-20 39 95 91/92
Fax	+49-30-20 39 95 99
E-Mail	info@kdm-berlin.de
http	www.kdm-berlin.de

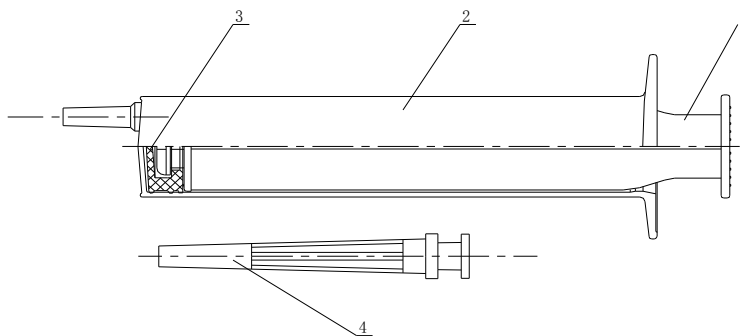
KD Medical GmbH Hospital Products · Charlottenstrasse 65 · 10117 Berlin · Germany

**1. KD-JECT III, with needle, luer slip**



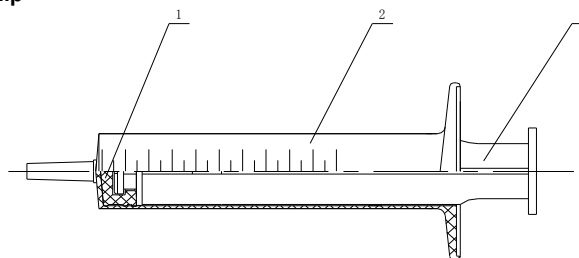
1: hypodermic needle, 2: rubber seal, 3: barrel, 4: plunger

**2. KD-JECT III, with bypacked needle, luer slip**



1: plunger, 2: barrel, 3: rubber seal, 4: hypodermic needle

**3. KD-JECT, without needle, luer slip**



1: Rubber seal, 2: barrel, 3: plunger

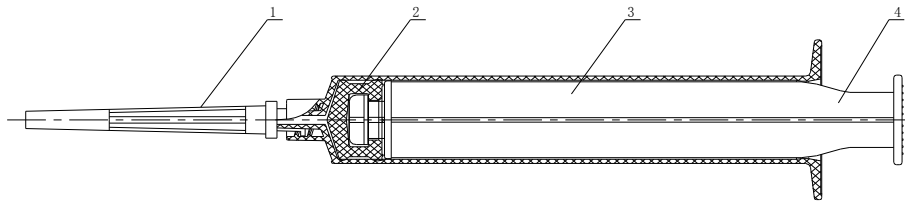
Bank	Deutsche Bank AG, Berlin	Commerzbank AG, Berlin	Registered Office: Berlin
Bank Code	100 700 00	100 800 00	Managing Director: Jörg Bartz
Account No.	605 24 50 00	905 94 65 00	Commercial Registry: Berlin-
IBAN	DE77 1007 0000 0605 2450 00	DE50 1008 0000 0905 9465 00	Charlottenburg HRB 64320
SWIFT	DEUT DE 33	DRES DE 33	VAT-No. DE 812 328 107

<b>Postal Address</b>	<b>Office</b>
PF 060107	Charlottenstrasse 65
10051 Berlin	10117 Berlin
Germany	Germany

Phone	+49-30-20 39 95 91/92
Fax	+49-30-20 39 95 99
E-Mail	info@kdm-berlin.de
http	www.kdm-berlin.de

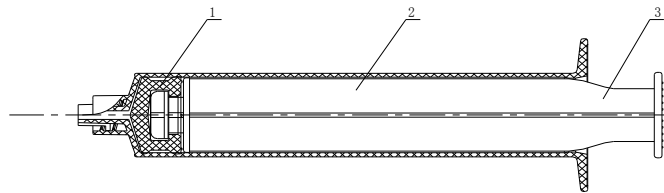
KD Medical GmbH Hospital Products · Charlottenstrasse 65 · 10117 Berlin · Germany

#### 4. KD-JECT III; with needle, luer lock



1: hypodermic needle, 2: rubber seal, 3: barrel, 4: plunger

#### 5. KD-JECT, without needle, luer lock



1: rubber seal, 2: barrel, 3: plunger

#### **Sterilisation:**

by Ethylene oxide (EO)

#### **Latex:**

There are two variants of KD-JECT III: latex and latex-free details s. under "Variants"

#### **Shelf life:**

5 years from the date of manufacture

*Note: dates of manufacture and expiry are printed on each individual package*

#### **Storage:**

Do not store at extreme temperature and humidity.

#### **Precautions for use:**

The operators should be professionally trained medical staff.

Check the integrity of the individual package before use. Do not use if the package is damaged.

For single use only. To be used immediately when individual package is opened.

Discard after single use to avoid risk of infection.

Use within the validity period

Bank	Deutsche Bank AG, Berlin
Bank Code	100 700 00
Account No.	605 24 50 00
IBAN	DE77 1007 0000 0605 2450 00
SWIFT	DEUT DE 33

Commerzbank AG, Berlin
100 800 00
905 94 65 00
DE50 1008 0000 0905 9465 00
DRES DE 33

Registered Office: Berlin
Managing Director: Jörg Bartz
Commercial Registry: Berlin-Charlottenburg HRB 64320
VAT-No. DE 812 328 107



KD MEDICAL GMBH HOSPITAL PRODUCTS®

**Postal Address** Office  
 PF 060107 Charlottenstrasse 65  
 10051 Berlin 10117 Berlin  
 Germany Germany

Phone +49-30-20 39 95 91/92  
 Fax +49-30-20 39 95 99  
 E-Mail info@kdm-berlin.de  
 http www.kdm-berlin.de

KD Medical GmbH Hospital Products · Charlottenstrasse 65 · 10117 Berlin · Germany

**Variants:**

**A. LATEX containing variants**

**Luer slip**

**KD-JECT III, Syringes, Latex, Luer slip, 1 ml (Tuberculin), mounted needle**

Article no	Size ml	Size of needle	Specification	Quantity export carton
821343	1 ml	26 G x 1/2" (0.45 x 12 mm)	Tuberculin	3000
831342	1 ml	25 G x 5/8" (0.50 x 16 mm)	Tuberculin	3000
831359	1 ml	27 G x 1/2" (0.4 x 12 mm)	Tuberculin	3000
831366	1 ml	29 G x 1/2" (0.33 x 12 mm)	Tuberculin	3000

**KD-JECT III, Syringes, Latex, Luer slip, with mounted needle**

Article no	Size ml	Size of needle	Specification	Quantity export carton
820346	2,5	23 G x 1 1/4" (0.6 x 30 mm)		2000
822647	2,5	22 G x 1 1/4" (0.7 x 30 mm)		2000
820667	2,5	25 G x 5/8" (0.50 x 16 mm)		2000
805343	5	22 G x 1 1/4" (0.7 x 30 mm)		1600
805350	5	22 G x 1 1/2" (0.7 x 40 mm)		1600
810347	10	21 G x 1 1/2" (0.8 x 40 mm)		1000
810361	10	18 G x 1 1/2" (1.2 x 40 mm)		1000
820025	20	21 G x 1 1/2" (0.8 x 40 mm)		600
802342	2	23 G x 1 1/4" (0.6 x 30 mm)		2000
803349	3	23 G x 1 1/4" (0.6 x 30 mm)		2000
805367	5	21 G x 1 1/2" (0.8 x 40 mm)		1600
870709	5	22 G x 1 1/2" (0.7 x 40 mm)		1600
870464	10	21 G x 1 1/2" (0.8 x 40 mm)		1000
870471	20	21 G x 1 1/2" (0.8 x 40 mm)		600

**KD-JECT III, Syringes, Latex, Luer slip, with bypacked needle, blister**

Article no	Size ml	Size of needle	Specification	Quantity export carton
802441	2	23 G x 1 1/4" (0.6 x 30 mm)		3200
803448	3	23 G x 1 1/4" (0.6 x 30 mm)		3200
805442	5	22 G x 1 1/4" (0.7 x 30 mm)		2400
805459	5	22 G x 1 1/2" (0.7 x 40 mm)		2400
805466	5	21 G x 1 1/2" (0.8 x 40 mm)		2400
810446	10	21 G x 1 1/2" (0.8 x 40 mm)		1500
820445	20	21 G x 1 1/2" (0.8 x 40 mm)		900

**KD-JECT III, Syringes, Latex, Luer slip, without needle**

Article no	Size ml	Size of needle	Specification	Quantity export carton
820759	2			3200
820766	3			2300
820773	5			2400
820780	10			1500
820797	20			900
852309	50		plastic packing	360

Bank Deutsche Bank AG, Berlin  
 Bank Code 100 700 00  
 Account No. 605 24 50 00  
 IBAN DE77 1007 0000 0605 2450 00  
 SWIFT DEUT DE BB

Commerzbank AG, Berlin  
 100 800 00  
 905 94 65 00  
 DE50 1008 0000 0905 9465 00  
 DRES DE FF 100

Registered Office: Berlin  
 Managing Director: Jörg Bartz  
 Commercial Registry: Berlin-  
 Charlottenburg HRB 64320  
 VAT-No. DE 812 328 107



**Postal Address**    **Office**  
 PF 060107            Charlottenstrasse 65  
 10051 Berlin        10117 Berlin  
 Germany             Germany

Phone    +49-30-20 39 95 91/92  
 Fax        +49-30-20 39 95 99  
 E-Mail    info@kdm-berlin.de  
 http       www.kdm-berlin.de

KD Medical GmbH Hospital Products · Charlottenstrasse 65 · 10117 Berlin · Germany

### Luer lock

<b>KD-JECT III, Syringes, Latex, luer lock, with mounted needle</b>				
Article no	Size ml	Size of needle	Specification	Quantity export carton
802359	2	23 G x 1 1/4" (0.6 x 30 mm)		2000
803356	3	23 G x 1 1/4" (0.6 x 30 mm)		2000
805374	5	22 G x 1 1/4" (0.7 x 30 mm)		1600
805381	5	22 G x 1 1/2" (0.7 x 40 mm)		1600
805398	5	21 G x 1 1/2" (0.8 x 40 mm)		1600
810354	10	21 G x 1 1/2" (0.8 x 40 mm)		1000
820353	20	21 G x 1 1/2" (0.8 x 40 mm)		600

<b>KD-JECT III, Syringes, Latex, luer lock, without needle</b>				
Article no	Size ml	Size of needle	Specification	Quantity export carton
820858	2			3200
820865	3			3200
820872	5			2400
820889	10			1500
820896	20			900
850305	50		plastic packing	360

### B. LATEX-FREE variants:

#### Luer slip

<b>KD-JECT III, Syringes, AD, Autodestruct, Latex-free, luer slip, mounted needle</b>				
Article no	Size ml	Size of needle	Specification	Quantity export carton
870723	1	25 G x 1 " (0.5 x 25 mm)	Tuberculin	3000

<b>KD-JECT III, Syringes, Latex-free, Luer slip, mounted needle</b>				
Article no	Size ml	Size of needle	Specification	Quantity export carton
831786	1	26 G x 1/2" (0.45 x 12 mm)	Tuberculin	3000
831793	1	25 G x 5/8" (0.5 x 16 mm)	Tuberculin	3000

<b>KD-JECT III, Syringes, Latex-free, Luer slip, without needle</b>				
Article no	Size ml	Size of needle	Specification	Quantity export carton
831854	2		extended scale	3200
831861	3			3200
831878	5		extended scale	2400
831885	10		extended scale	1500
831892	20		extended scale	900
870686	30			
870662	50		extended scale	360

<b>KD-JECT III, Syringes, Latex-free, Luer slip, without needle, Tuberculin</b>				
Article no	Size ml	Size of needle	Specification	Quantity export carton
870648	1		Tuberculin	

Bank                    Deutsche Bank AG, Berlin  
 Bank Code            100 700 00  
 Account No.          605 24 50 00  
 IBAN                    DE77 1007 0000 0605 2450 00  
 SWIFT                  DEUT DE 33

Commerzbank AG, Berlin  
 100 800 00  
 905 94 65 00  
 DE50 1008 0000 0905 9465 00  
 DRES DE 33 100

Registered Office: Berlin  
 Managing Director: Jörg Bartz  
 Commercial Registry: Berlin-  
 Charlottenburg HRB 64320  
 VAT-No. DE 812 328 107



**Postal Address**    **Office**  
PF 060107            Charlottenstrasse 65  
10051 Berlin        10117 Berlin  
Germany             Germany

Phone    +49-30-20 39 95 91/92  
Fax        +49-30-20 39 95 99  
E-Mail    info@kdm-berlin.de  
http       www.kdm-berlin.de

KD Medical GmbH Hospital Products · Charlottenstrasse 65 · 10117 Berlin · Germany

### Luer lock

<b>KD-JECT III, Syringes, Latex-free, Luer lock, with needle</b>				
Article no	Size ml	Size of needle	Specification	Quantity export carton
865637	50	18 G x 1 1/2" (1.2 x 40 mm)		360

<b>KD-JECT III, Syringes, Latex-free, Luer lock, without needle</b>				
Article no	Size ml	Size of needle	Specification	Quantity export carton
831908	2		extended scale	3200
831915	3			3200
831922	5		extended scale	2400
831939	10		extended scale	1500
831946	20		extended scale	900
870761	30			
865613	50		extended scale	360
870945	50	n/a	light-protective	
870921	100			50

<b>KD-JECT III, Syringes, Latex-free, Luer lock, without needle, Tuberculin</b>				
Article no	Size ml	Size of needle	Specification	Quantity export carton
870785	1		Tuberculin	

Issue:	08.11.2010
Revision:	1

Bank Deutsche Bank AG, Berlin  
Bank Code 100 700 00  
Account No. 605 24 50 00  
IBAN DE77 1007 0000 0605 2450 00  
SWIFT DEUT DE 33

Commerzbank AG, Berlin  
100 800 00  
905 94 65 00  
DE50 1008 0000 0905 9465 00  
DRES DE 33 100

Registered Office: Berlin  
Managing Director: Jörg Bartz  
Commercial Registry: Berlin-  
Charlottenburg HRB 64320  
VAT-No. DE 812 328 107